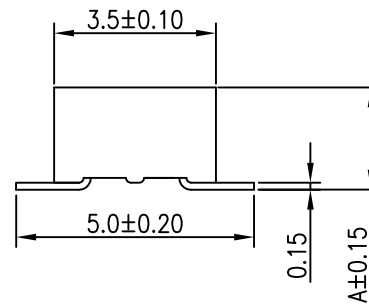
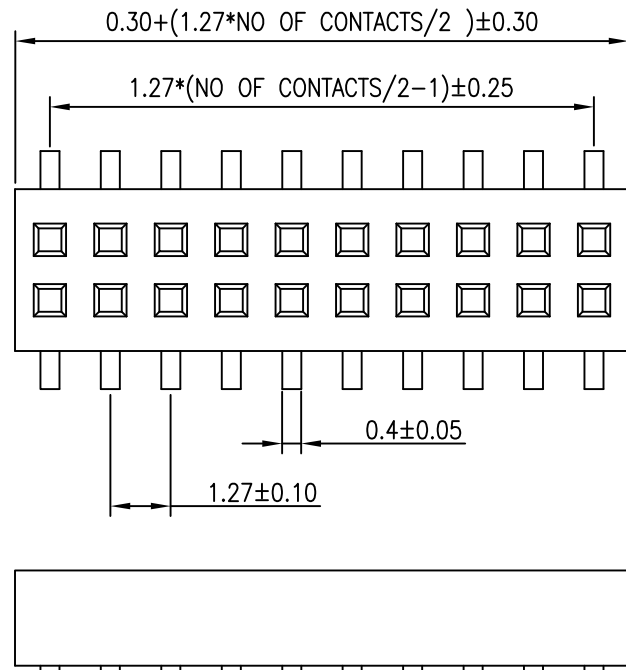


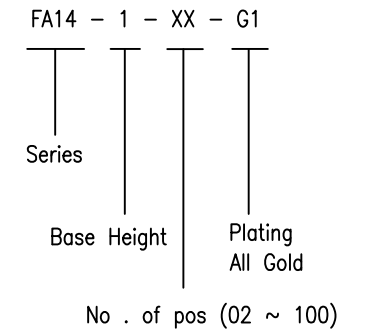
REV	ECN. NO.	APP.	DATE
B			



**SPECIFICATION**

- \* Current Rating:  
1 A
- \* Withstanding Voltage:  
300 VAC ( 1 min. )
- \* Insulation Resistance:  
1000 Megohms MIN.
- \* Contact Resistance:  
30 Milliohms MAX.
- \* Operating Temperature:  
-40°C to +105°C

**ORDER INFORMATION**

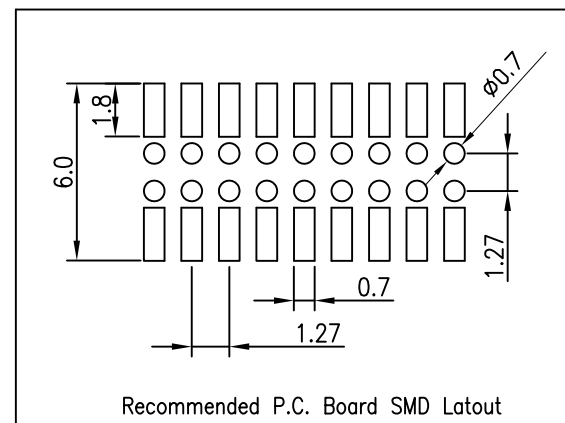


**MATERIAL**

- \* Contact: Phosphor Bronze
- \* Insulator: PA6T + 30% G.F.
- \* Plating: All Gold

Base Height

H	A
1	2.20



(주)신화테크 SHINHWA TECH CO.,LTD  
 TEL : 031-451-9441 FAX : 031-451-9444

0.0±	SCALE:	TITLE:	PART NO:
0.00±	UNIT: MM	1.27MM Female Header	APP BY:
0.000±		Dual Row SMD (H:2.2)	CHK BY:
		MATL: PA6T + 30% G.F.	DR BY:
		DWG NO: FA14	